

SupIR 30-600mm f/4.0*, Motorized Continuous Zoom 680384 / 680385



HD
FORMAT

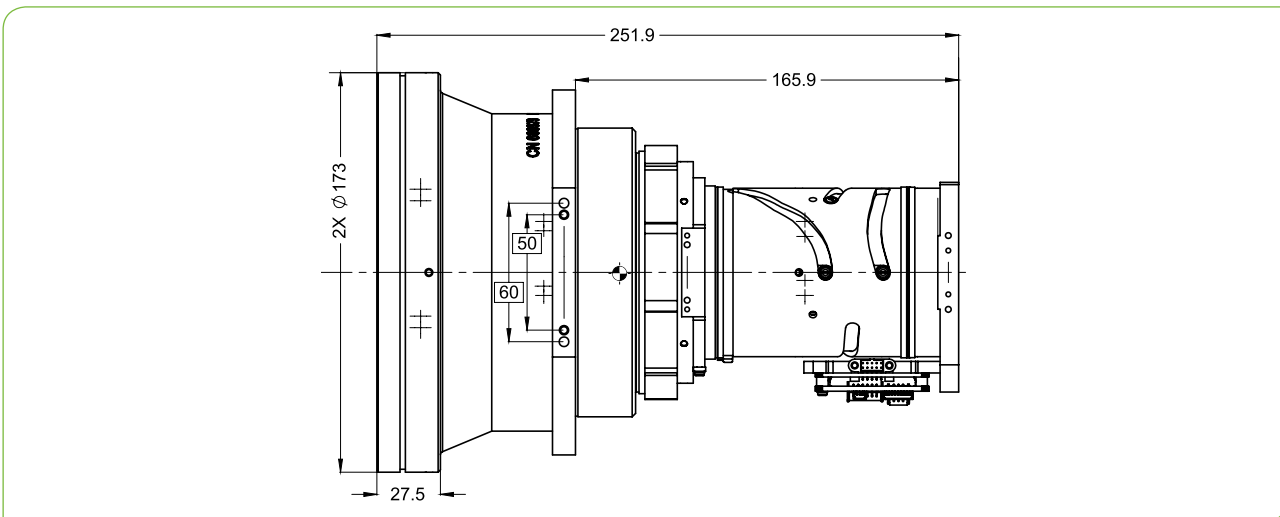
WFOV (30mm)	
HFOV	640x512
15μ	17.2°
10μ	-

WFOV (60mm)	
HFOV	1280X1024
10μ	11.4°

NFOV (600mm)		
HFOV	640x512	1280X1024
15μ	0.9°	
10μ	-	1.2°

Property	Value	
Optical	WFOV	NFOV
Focal Length	30mm	600mm
F/#	4.0	
Average transmission (3.4-5μm)	92% (HD)	
680384	Based on Zoom Lens:	15-300mm f/4 680084
	Cold stop to FPA Distance	19.4mm
	Cold Stop CA	Ø4.85mm
	BFL	23.3mm in air
680385	Based on Zoom Lens:	15-300mm f/4 680204
	Cold stop to FPA Distance	20.47mm
	Cold Stop CA	Ø5.1
	BFL	26.2mm in air
Minimum Focus Range	5m	200m
Nuc (by defocus)	By defocus (blur to 3mm diameter)	
Mechanical		
Focus Mechanism	Motorized	
Focus Time (minimum range to ∞)	≤1 sec.	
Zoom Mechanism	Motorized	
Zoom Time (NFOV to WFOV)	≤7 sec. at -32°C; ≤5 sec. at T ≥ 0°C	
Through-zoom boresight	Within a radius of 0.22 mm at the focal plane along the full zoom range	
Mechanical		
Weight	3.1kg	
Max. Dimensions	Ø173mm x 251.9mm	

* For 10μm SXGA detectors, the EFL is 60-600mm



MWIR | ZOOM

Property	Value				
Electrical					
Lens Control	Designated lens controller				
Supply Voltage	12V				
Current Consumption	0.5A average, 1.0A peak				
Communication Protocol	RS422				
Environmental					
Operation Temperature	-32°C to +75°C				
Storage Temperature	-54°C to +85°C				
Sealing	IP 67 front element only				
Configurations	Description	FPA	Pixel Pitch	CSH	Coating
680384-001	30-600mm	640x512	15µ	19.4mm	High Durability
680384-002					Low Reflection Hard Carbon**
680384-003	60-600mm	1280x1024	10µ		High Durability
680384-004					Low Reflection Hard Carbon**
680384-005					High Durability Hydrophobic
680384-006					Hard Carbon Hydrophobic
680385-001	30-600mm	640x512	15µ	20.5mm	High Durability
680385-002					Low Reflection Hard Carbon**
680385-003	60-600mm	1280x1024	10µ		High Durability
680385-004					Low Reflection Hard Carbon**
680385-005					High Durability Hydrophobic
680385-006					Hard Carbon Hydrophobic

* NOTE: The ICD drawing provided here is primarily a representation and may not accurately reflect the product's actual dimensions and specifications. For precise integration specifications contact your local sales representative.

** For detailed LRHC coating specifications see page 13